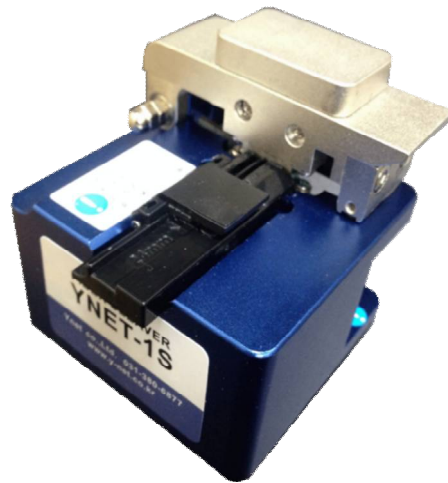
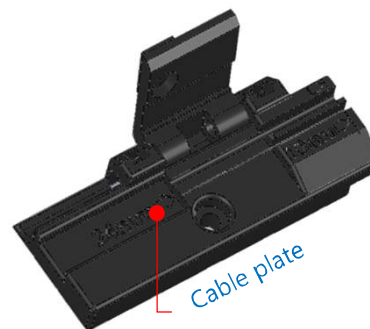
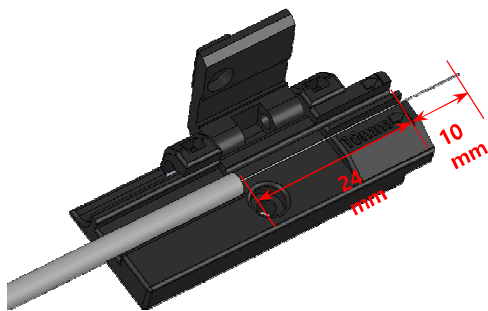


Optical Fiber Cleaver(YT-1S)



Features

- Cutting fiber to fit to 34mm fiber length. No need to measure fiber length when installing FIC
- Insertion loss after cutting : $\leq 0.1\text{dB}$
- One touch and semi-auto
- Cutting angle : $\leq 0.5^\circ$
- Blade life time : $\geq 36,000$ times
- Small and light weight
- It can adapt to fusion splicer



Application

- Field Assembly Connector
- FTTH installation and AS
- Quality verification
- Fusion Splicing

Specification

Fiber	Single fiber, 0.25 ~ 0.9mm optical fiber, 125 μm
Cutting Length	10~34mm
Cutting Angle	$\leq 0.5^\circ$
Blade life time	>36,000 cleaves
Dimensions(W x D x H)	62 x 67 x 58mm
Weight	400g